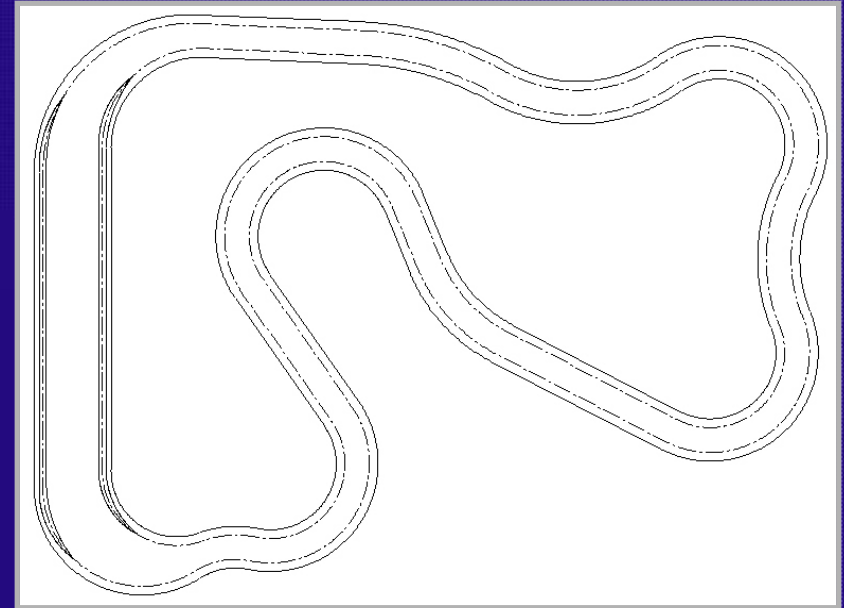
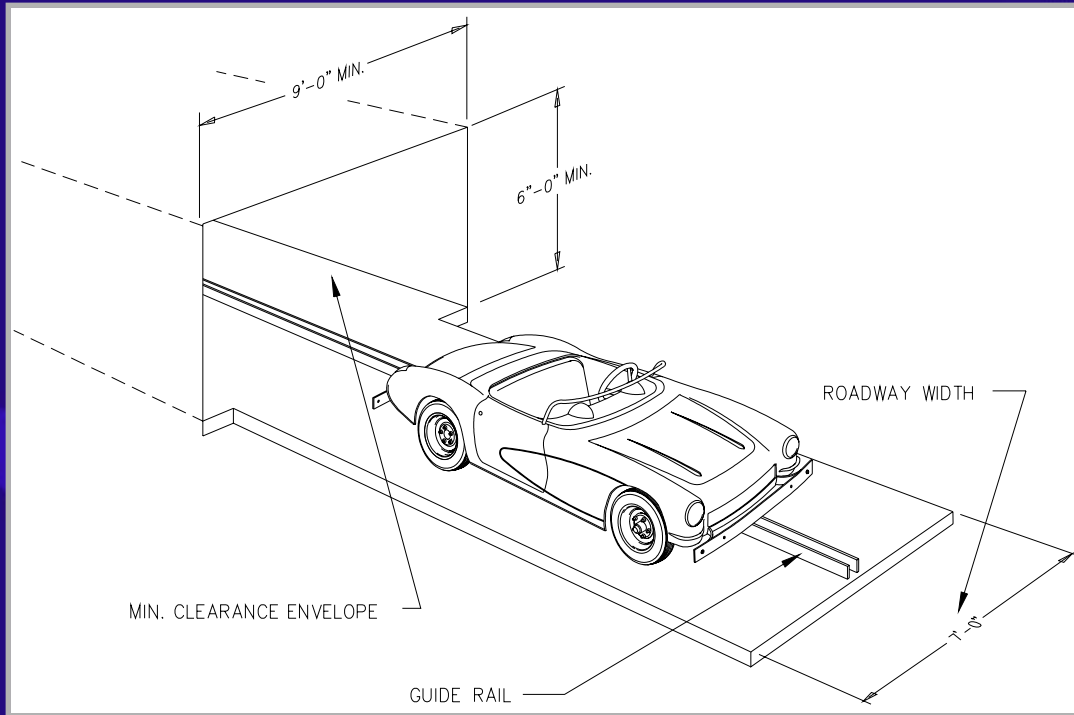


ELECTRIC CARS



ELECRIC CAR SPECIFICATIONS



Sample Track Layout

- **Turning Radius:** 30' (8.9 m) minimum radius
- **Maximum Grade:** Up - 8%, Down - 5%
- **Speed:** 8 ' (2.4 m) per second
- **Power Required:** 110 volt, AC 300 AMP
- **Theoretical Capacity:** 600 pph
- **Track:** Bus bar
- **Vehicle Capacity:** 2 passengers
- **Car bodies:** Fiberglass
- **Steering:** Rack and pinion
- **Roadway:** 7' (2.1 m) wide concrete